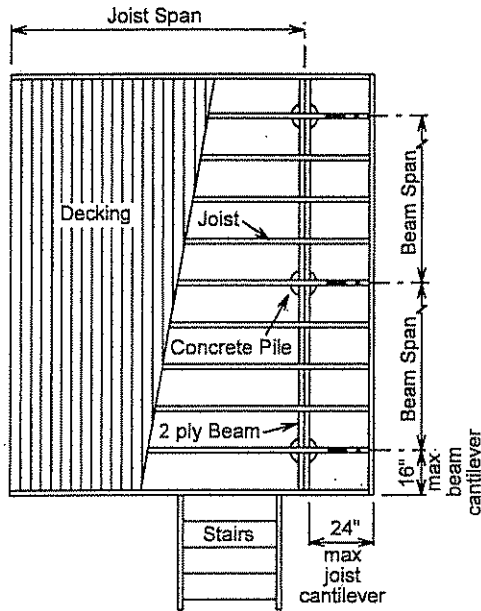


STAIR :
 Rise - max 8"
 Tread - min. 9 1/4"
 Handrail
 height - 32" to 38"

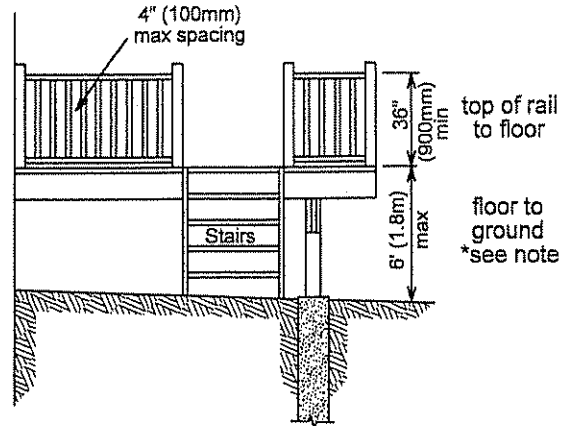
FRAMING DETAILS



MAXIMUM FRAMING SPANS		
Joist	16" spacing S-P-F	24" spacing S-P-F
2 x 6	2.7m (8'-10")	2.4m (7' 10")
2 x 8	3.7m (12' 2")	3.0m (9' 10")
2 x 10	4.3m (14' 1")	3.7m (12' 2")

Post Spacing	Joist span	Beam type S-P-F
6' (1.8m)	8' (2.4m)	2 x 8 one ply
	9' (2.7m)	2 x 8 one ply
	10' (3.0m)	2 x 8 one ply
	11' (3.3m)	2 - 2 x 6 or 1 - 2 x 12
	12' (3.7m)	2 - 2 x 6 or 1 - 2 x 12
8' (2.4m)	14' (4.3m)	2 - 2 x 6 or 1 - 2 x 8
	8' (2.4m)	2 - 2 x 8
	9' (2.7m)	2 - 2 x 8
	10' (3.0m)	2 - 2 x 8
	11' (3.3m)	2 - 2 x 8
	12' (3.7m)	2 - 2 x 8
	14' (4.3m)	2 - 2 x 10

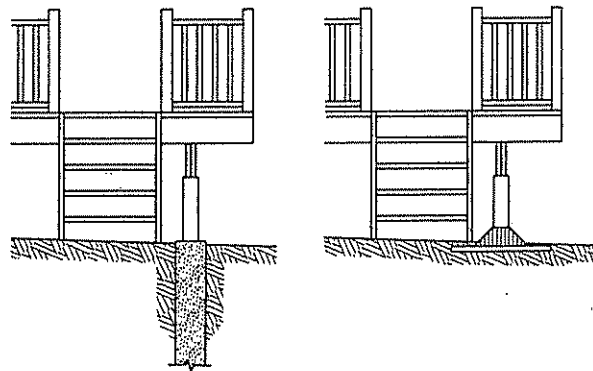
GUARDRAIL DESIGN



NOTE :

- The guards must be non-climbable with no horizontal rails, fixed benches or other items that would provide a foothold.
- If the floor to ground distance is more than 6 ft, the guard height is to be a minimum of 42" (1.07m)
- Guards are required on open sides of stairs over 6 risers, and are required to be a minimum of 36" high.

FOUNDATION OPTIONS



CONCRETE PILES

CONCRETE PADS

NOTE :

- Concrete piles are to be at a minimum of 10" in diameter and should extend below frost.
 - If a roof structure or other enclosure will be constructed, permanent foundations such as larger piles or concrete walls are required.
- Additional detail drawing must be submitted for review.

DECK APPLICATION CONSTRUCTION DETAILS

Deck Dimensions : Length _____ Width _____

Deck floor height above ground _____

Joist size and spacing _____

Beam size and post spacing _____

Foundation type (pile size or pad footings) _____

Guardrail and handrail height _____

APPLICANT

Applicants Name (print) _____ Date _____

Address _____ Phone _____

Signature _____